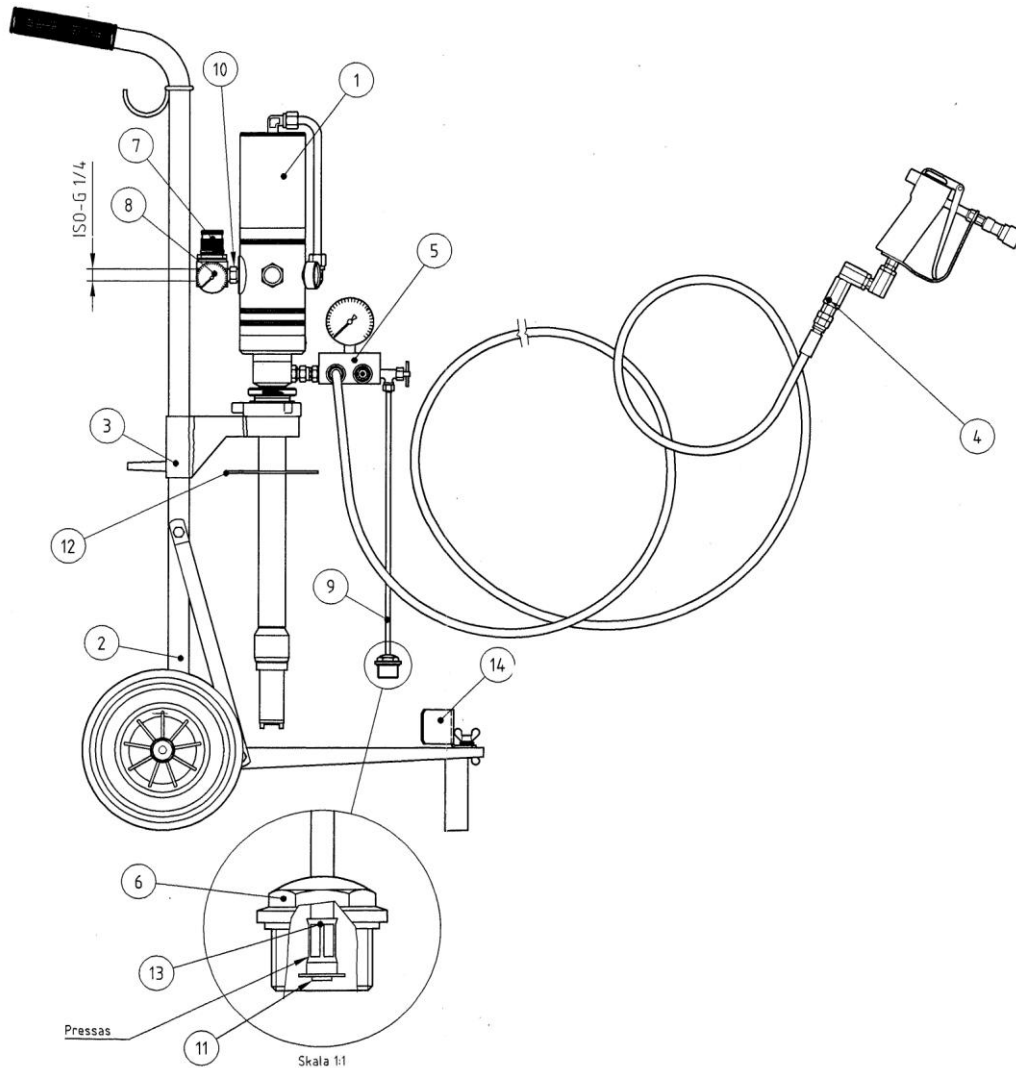


# DINITROL PUMP UNIT 1:26 COMPLETE

SET FOR 20 L PAILS / Art. 1705100

Equipment

Equipment



Capacity per stroke:	14.8 ccm (0.04 Gal.)
Ratio:	26:1
Max. line air pressure:	10 bar (145 psi)
Max. pump capacity:	2,5 l (0.66 Gal.) / min
Max. compound pressure:	260 bar (3770 psi)
Air consumption:	13 litres per stroke at 6 bar (0.8 Gal. per stroke at 87psi)

Die in diesem Merkblatt gemachten Angaben sind das Ergebnis sorgfältiger Untersuchungen. Soweit sie sich auf die Anwendung beziehen, sind sie als Empfehlung zu betrachten, die dem Erfahrungsstand entsprechen. Wegen der Vielseitigkeit der Anwendungs- und Arbeitsweisen können wir jedoch eine Verbindlichkeit nicht übernehmen. Es wird daher ein vertragliches Rechtsverhältnis nicht begründet, und es entstehen aus eventuellen Kaufverträgen keine Nebenverpflichtungen.

All data and recommendations are the result of careful tests by our laboratories. They only can be considered as recommendation which correspond to the level of experience of today. The data are given in good faith. However, in view of the multiplicity of possible application and working methods we are not in a position to assume any responsibility or obligations deriving from the use of our products.

DINOL GmbH  
 Pyrmonter Str. 76  
 D-32676 Lügde  
 Telefon:  
 +49 (0) 52 81 / 9 82 98-0  
 Telefax:  
 +49 (0) 52 81 / 9 82 98-60  
 E-Mail:  
 service@dinol.com

# DINITROL PUMP UNIT 1:26 COMPLETE

## SET FOR 20 L PAILS / Art. 1705100

### 1. SAFETY REGULATIONS

Read the instruction manual carefully before starting the pump.

These pumps should only be used for the process for which they are intended.

All components used together with the pumps must be capable of withstanding the maximum fluid pressure in the system. The bursting pressure has to be 4 times the maximum product pressure.

Do not exceed the maximum air pressure of 10 bar (145 PSI).

Where there is any danger of the pressure exceeding 10 bar (145 PSI), safety Valve 0076961 must always be installed in the pump air connection.

Make sure that the system is not under pressure before dismantling or servicing it.

Note that leaks or other fine jets of liquid under high pressure can cut the skin. It is especially important to be careful with corrosion-protection equipment where pressures are high.

Inspect the equipment for wear at regular intervals, paying particular attention to hoses.

Always use ear protectors when working near compressed air-powered machines.

The maximum emitted noise level, measured at a distance of 1 m in accordance with SS-ISO 3747, is:

**Sound level** 101 dB(A)  
**Acoustic power level** 109 dB(A) relative to 1 pW.

### 2. TECHNICAL DESCRIPTION

#### GENERAL

The pump consists of a drive section and a pump section. The drive section is normally an air motor driven by compressed air.

The pressure ratio of the pumps states the ratio of the incoming air pressure to the media pressure. A pump with a pressure ratio of 1:26 thus gives a media pressure of 260 bars at an air pressure of 10 bars. The pressure ratio usually states the area ratio between the pump piston and the air piston. The practical pressure amplification may therefore vary somewhat for different back-pressures, owing to friction.

The compressed-air driven pumps are fully automatic. They start automatically when the media valve is opened. When the valve is closed they build up a back-pressure and stop.

Die in diesem Merkblatt gemachten Angaben sind das Ergebnis sorgfältiger Untersuchungen. Soweit sie sich auf die Anwendung beziehen, sind sie als Empfehlung zu betrachten, die dem Erfahrungsstand entsprechen. Wegen der Vielseitigkeit der Anwendungs- und Arbeitsweisen können wir jedoch eine Verbindlichkeit nicht übernehmen. Es wird daher ein vertragliches Rechtsverhältnis nicht begründet, und es entstehen aus eventuellen Kaufverträgen keine Nebenverpflichtungen.

All data and recommendations are the result of careful tests by our laboratories. They only can be considered as recommendation which correspond to the level of experience of today. The data are given in good faith. However, in view of the multiplicity of possible application and working methods we are not in a position to assume any responsibility or obligations deriving from the use of our products.

DINOL GmbH  
Pyrmonter Str. 76  
D-32676 Lügde  
Telefon:  
+49 (0) 52 81 / 9 82 98-0  
Telefax:  
+49 (0) 52 81 / 9 82 98-60  
E-Mail:  
service@dinol.com

## DINITROL PUMP UNIT 1:26 COMPLETE

SET FOR 20 L PAILS / Art. 1705100

### 3. ASSEMBLY AND INSTALLATION

#### PUMPS

Remove all protective plugs.

Remove the drum bung fitting by turning the upper knurled part counter-clockwise. The drum bung fitting can then be screwed into the drum.

Place the pump into the drum or racket on the trolley.

Lock the suction pipe to the drum by turning the knurled part clockwise.

Cover the opening around the suction pipe with a rag or similar so as to prevent dirt from entering and contaminating the CIC.

If the compressed air contains moisture a water-separator should be installed ahead of the pump.

These pumps do not require oil-mist lubricators but if one is already installed it will only have a beneficial effect on pump life and need not be removed. Oil-mist lubricators are recommended under severe operating conditions.

### 4. STARTING UP

The pump may be damaged if it runs dry. For this reason it should be started up carefully, with low air pressure. When it has started to pump the medium the air pressure can be gradually increased.

Run the pump until the compound is free from air at the discharge point, then close the valve.

The pump will then make a few more strokes and then stop. Check hoses and connections for leaks.

The equipment is now ready for use.

### 5. MAINTENANCE AND REPAIR

#### PREVENTIVE MAINTENANCE

Inspect the equipment regularly for leaks.

If an oil-mist lubricator is fitted, make sure that it is filled.

If a water separator is fitted, empty it.

Make sure that the drum lid is properly fitted to prevent contamination of the contents.

Make sure that the suction pipe is not resting on the bottom of the drum.

When changing drums, be careful not to get dirt on the suction pipe.

Die in diesem Merkblatt gemachten Angaben sind das Ergebnis sorgfältiger Untersuchungen. Soweit sie sich auf die Anwendung beziehen, sind sie als Empfehlung zu betrachten, die dem Erfahrungsstand entsprechen. Wegen der Vielseitigkeit der Anwendungs- und Arbeitsweisen können wir jedoch eine Verbindlichkeit nicht übernehmen. Es wird daher ein vertragliches Rechtsverhältnis nicht begründet, und es entstehen aus eventuellen Kaufverträgen keine Nebenverpflichtungen.

All data and recommendations are the result of careful tests by our laboratories. They only can be considered as recommendation which correspond to the level of experience of today. The data are given in good faith. However, in view of the multiplicity of possible application and working methods we are not in a position to assume any responsibility or obligations deriving from the use of our products.

DINOL GmbH  
Pyrmonter Str. 76  
D-32676 Lügde  
Telefon:  
+49 (0) 52 81 / 9 82 98-0  
Telefax:  
+49 (0) 52 81 / 9 82 98-60  
E-Mail:  
service@dinol.com

# DINITROL PUMP UNIT 1:26 COMPLETE

SET FOR 20 L PAILS / Art. 1705100

## CORRECTIVE MAINTENANCE

### Trouble-shooting

Problem	Action
Pump does not start	Check air supply Check that outlet is not blocked Check the air motor, see Repair section
Pump starts but output is insufficient	Check that air pressure is not too low Check that pump is not sucking air Check that air filter is not clogged with dirt or ice
Pump does not stop although	Inspect the pump section and make sure there are no foreign outlet is closed objects in pump valves. Dismantle the pump section and make sure that seals and valves are intact, see Repair section
Air escapes from the air motor when the pump has stopped under pressure.	Dismantle the air motor and inspect gaskets and seals, see Repair section.

## CORRECTIVE MAINTENANCE -REPAIR

### GENERAL

Before performing any service operation, always shut off the air supply and decompress the medium, i.e. let oil or grease out so that the pressure falls.

Be careful not to damage any parts when dismantling. Shafts which do not have key flats must never be removed with a pipe wrench, or the like.

The easiest way to remove them is to grip the part in a vice with aluminum or copper jaws, clamp the shaft in a hand-drill chuck and then turn the chuck by hand.

Be careful when fitting O-rings and seals. Always lubricate them with oil or grease before fitting.

They must never be threaded over sharp edges when being fitted and must be protected by some form of sleeve in such cases.

Lubricate all moving parts.

### Be on the lookout for the following when trouble-shooting...

- Dirt in valves
- Dirt in ball seats
- Damaged O-rings, seals and gaskets
- Scratches in sealing surfaces

Die in diesem Merkblatt gemachten Angaben sind das Ergebnis sorgfältiger Untersuchungen. Soweit sie sich auf die Anwendung beziehen, sind sie als Empfehlung zu betrachten, die dem Erfahrungsstand entsprechen. Wegen der Vielseitigkeit der Anwendungs- und Arbeitsweisen können wir jedoch eine Verbindlichkeit nicht übernehmen. Es wird daher ein vertragliches Rechtsverhältnis nicht begründet, und es entstehen aus eventuellen Kaufverträgen keine Nebenverpflichtungen.

All data and recommendations are the result of careful tests by our laboratories. They only can be considered as recommendation which correspond to the level of experience of today. The data are given in good faith. However, in view of the multiplicity of possible application and working methods we are not in a position to assume any responsibility or obligations deriving from the use of our products.

DINOL GmbH  
Pyrmonter Str. 76  
D-32676 Lügde  
Telefon:  
+49 (0) 52 81 / 9 82 98-0  
Telefax:  
+49 (0) 52 81 / 9 82 98-60  
E-Mail:  
service@dinol.com

# DINITROL PUMP UNIT 1:26 COMPLETE

## SET FOR 20 L PAILS / Art. 1705100

### AIR MOTOR (Art. 1706005)

#### Disassembly

Remove air pipe 0122118 and then unscrew the cylinder head and air cylinder. Then dismantle the two retainers 0122182 with sleeves, springs and rockers.

NOTE: When fitting the retainers, cover 0122104 must be opened to permit correct installation of the rockers.

Unscrew the cover 0122104

Unscrew the two nuts that hold the air piston and remove the piston.

Unscrew the pump rod from the piston rod and remove the slide driver.

Remove liner, seal retainer, slide and slide plate.

#### Assembly

Assemble in reverse order to above.

Lock piston rod, pump rod, screw 903540 and the screws that hold the slide retainer with locking fluid.

### PUMP 1 : 26 (Art. 1706000)

#### Disassembly

Remove bottom strainer

Remove bottom valve, bottom tube, sleeve housing and spacer.

Remove pin 903603 and unscrew the piston.

Screw the seating out of the piston.

Unscrew the intermediate section.

#### Assembly

Assemble in reverse order as above.

Lock nut 903672 with locking fluid.

## 6. SELECTION OF EQUIPMENT

### BASIC SET

1	DINITROL PUMP UNIT 1:26 COMPLETE	Art.-No. 1705100
1	DINITROL WAND 1 80° 8x150MM	Art.-No. 1708600
1	DINITROL EXTENSION HOSE, 1000	Art.-No. 1708500
1	DINITROL CLEANING NEEDLE SET	Art.-No. 1714400
5	DINITROL FILTER 200 MESH	Art.-No. 1713100
2	DINITROL JET NO. 10, 80° 8MM	Art.-No. 1712100
1	DINITROL GASKET SET PUMP 1:26	Art.-No. 1705600
1	DINITROL GASKET SET AIR MOTOR 1:26	Art.-No. 1705800
1	DINITROL SERVICE SET AIR MOTOR 1:26	Art.-No. 1705700
1	DINITROL SPRAY TOOL SERVICE SET	Art.-No. 1706200

Die in diesem Merkblatt gemachten Angaben sind das Ergebnis sorgfältiger Untersuchungen. Soweit sie sich auf die Anwendung beziehen, sind sie als Empfehlung zu betrachten, die dem Erfahrungsstand entsprechen. Wegen der Vielseitigkeit der Anwendungs- und Arbeitsweisen können wir jedoch eine Verbindlichkeit nicht übernehmen. Es wird daher ein vertragliches Rechtsverhältnis nicht begründet, und es entstehen aus eventuellen Kaufverträgen keine Nebenverpflichtungen.

All data and recommendations are the result of careful tests by our laboratories. They only can be considered as recommendation which correspond to the level of experience of today. The data are given in good faith. However, in view of the multiplicity of possible application and working methods we are not in a position to assume any responsibility or obligations deriving from the use of our products.

DINOL GmbH  
 Pyrmonter Str. 76  
 D-32676 Lügde  
 Telefon:  
 +49 (0) 52 81 / 9 82 98-0  
 Telefax:  
 +49 (0) 52 81 / 9 82 98-60  
 E-Mail:  
 service@dinol.com

# DINITROL PUMP UNIT 1:26 COMPLETE

SET FOR 20 L PAILS / Art. 1705100

## Recommended range of use

- Basic structural elements in easy accessible configurations.
- Medium treatments and / or medium sized aircraft.
- Treatment frequency: medium

## EXTENDED SET - The basic set plus

1	DINITROL WAND 6 350° 8x1500MM	Art.-No. 1709000
1	DINITROL WAND 13 30° 4x200MM	Art.-No. 1709600
2	DINITROL JET NO. 13, 15° 4MM	Art.-No. 1712000

## Recommended range of use

- All structural elements in accessible configurations
- Extensive treatments and / or larger size aircraft
- Treatment frequency: medium - high

## COMPLETE SET - The extended set plus

1	DINITROL WAND 2 90° 8x400MM	Art.-No. 1708700
1	DINITROL WAND 5 180° 6x1500MM	Art.-No. 1708900
1	DINITROL WAND 7 150° 6x2000MM	Art.-No. 1709100
1	DINITROL WAND 9 95° 6x800MM	Art.-No. 1709300
1	DINITROL WAND 11 80° 6x150MM	Art.-No. 1709500
2	DINITROL JET NO. 9, 80° 8MM	Art.-No. 1711900
5	DINITROL JET NO. 11, 150° 8MM	Art.-No. 1712200
1	DINITROL WAND EXTENSION 8x700MM	Art.-No. 1709800

## Recommended range of use

- All structural elements in most configurations.
- Extensive treatments and large aircraft.
- Treatment frequency: medium – high

Die in diesem Merkblatt gemachten Angaben sind das Ergebnis sorgfältiger Untersuchungen. Soweit sie sich auf die Anwendung beziehen, sind sie als Empfehlung zu betrachten, die dem Erfahrungsstand entsprechen. Wegen der Vielseitigkeit der Anwendungs- und Arbeitsweisen können wir jedoch eine Verbindlichkeit nicht übernehmen. Es wird daher ein vertragliches Rechtsverhältnis nicht begründet, und es entstehen aus eventuellen Kaufverträgen keine Nebenverpflichtungen.

All data and recommendations are the result of careful tests by our laboratories. They only can be considered as recommendation which correspond to the level of experience of today. The data are given in good faith. However, in view of the multiplicity of possible application and working methods we are not in a position to assume any responsibility or obligations deriving from the use of our products.

DINOL GmbH  
Pyrmonter Str. 76  
D-32676 Lügde  
Telefon:  
+49 (0) 52 81 / 9 82 98-0  
Telefax:  
+49 (0) 52 81 / 9 82 98-60  
E-Mail:  
service@dinol.com